



## NEW: GREEN PIN® MOORING BOLT

The Green Pin® Mooring Bolt NS9415 T is a grade 8 mooring bolt with a T-shaped end fitting that provides best-in-class quality, guaranteeing absolute security for your mooring system. The mooring bolt's hot dipped galvanization ensures long-term durability as required by the NS 9415 standard.

The mounting depth is indicated by the green colour, which makes the installation of the product much easier and the special type of thread will result in a better fixation of the bolt. What's more, the mooring bolt NS9415 is certified by DNV in compliance with NYTEK regulation and NS 9415. It is available in a range of minimum breaking load from 40 up to 170 tons.

For more information, please contact [info@greenpin.com](mailto:info@greenpin.com)

[greenpin.com](http://greenpin.com)

A VAN BEEST BRAND

## Product update

February 2022

### Green Pin® Mooring Bolt NS9415 T

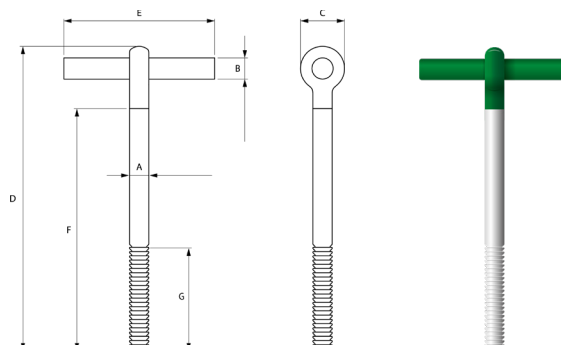
**Product code:** G-8310  
**Material:** high tensile steel, grade 8, quenched and tempered  
**Standard:** NYTEK regulation and NS 9415  
**Finish:** hot dipped galvanized  
**Temperature range:** -20°C up to +200°C (-4°F up to +392°F)

**Certification:**

**2.1** **2.2** **3.1** **MTC<sup>a</sup>** **DNV NS 9415**

partnumber	minimum breaking load	diameter bolt	diameter crossing bar	diameter eye	length	width	mounting depth	length mounting depth	weight each
	t	a mm	b mm	c mm	d mm	e mm	f mm	g mm	kg
GPGMTB32400	40	32	35	73	503	250	400	170	5.16
GPGMTB38500	60	38	42	88	628	300	500	210	9.06
GPGMTB45600	80	45	50	104	744	400	600	300	15.64
GPGMTB50600	100	50	57	112	774	400	600	300	20.00
GPGMTB57600	130	57	57	119	779	400	600	300	23.68
GPGMTB65700	170	65	57	140	900	400	700	350	32.79

partnumber	minimum breaking load	diameter bolt	diameter crossing bar	diameter eye	length	width	mounting depth	length mounting depth	weight each
	t	a inch	b inch	c inch	d inch	e inch	f inch	g inch	lbs
GPGMTB32400	40	1¼	1 ⅜	2 ⅞	19 13/16	9 27/32	15 ¾	6 11/16	11.38
GPGMTB38500	60	1½	1 ⅝	3 15/32	24 23/32	11 13/16	19 11/16	8 9/32	19.97
GPGMTB45600	80	1¾	2	4 3/32	29 5/16	15 ¾	23 5/8	11 13/16	34.48
GPGMTB50600	100	2	1 ¾	4 13/32	30 15/32	15 ¾	23 5/8	11 13/16	44.09
GPGMTB57600	130	2 ¼	1 ¾	4 11/16	30 11/16	15 ¾	23 5/8	11 13/16	52.21
GPGMTB65700	170	2 ½	1 ¾	5 ½	35 7/16	15 ¾	27 9/16	13 25/32	72.29



## What's below surface Must be above standard

---

- ✓ DNV-certified to NS 9415
- ✓ Hot dip galvanization assures long-term durability
- ✓ Better fixation due to special type of thread
- ✓ Part of Green Pin® aquaculture system

[greenpin.com](http://greenpin.com)



### **VAN BEEST B.V.**

Head Office  
Industrieweg 6  
3361 HJ Sliedrecht  
The Netherlands  
Telephone +31 184 41 33 00  
E-mail [sales@vanbeest.eu](mailto:sales@vanbeest.eu)

### **VAN BEEST GmbH**

Märkische Straße 115/117  
44141 Dortmund  
Germany  
Telephone +49 231 58 44 230  
E-mail [sales@vanbeest.eu](mailto:sales@vanbeest.eu)

### **VAN BEEST FRANCE S.A.S.**

1 impasse du Patureau de Jalonne  
63250 Celles sur Durolle  
France  
Telephone +33 (0)4 73 51 89 51  
E-mail [sales@vanbeest.eu](mailto:sales@vanbeest.eu)

### **VAN BEEST USA, L.L.C.**

US main office  
5615 W. Fuqua, Building B  
Houston, TX 77085  
United States

Chicago office  
158 South Pinnacle Drive  
Romeoville, IL 60446  
United States

Telephone +1 713 674 57 53  
E-mail [sales.us@vanbeest.com](mailto:sales.us@vanbeest.com)

### **VAN BEEST DO BRASIL**

Rua Alexandre Dumas, 1711, 5<sup>th</sup> Floor  
Chácara Santo Antônio,  
04717-004 Sao Paulo-SP Brazil  
Telephone +55 (11) 2599 8364  
E-mail [vendas@vanbeest.com.br](mailto:vendas@vanbeest.com.br)